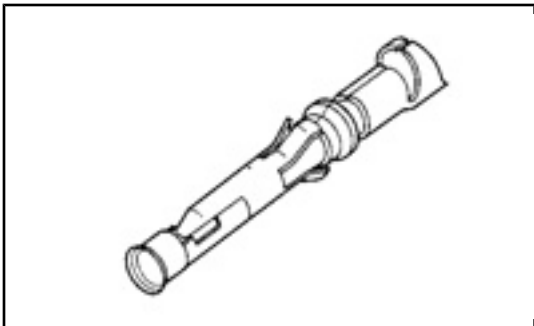


66183-1 Product Details



66183-1

TE Internal Number: 66183-1

 [Active](#)

Multimate

 [Always EU RoHS/ELV Compliant \(Statement of Compliance\)](#)

Product Highlights:

- Socket
- Gold (30) over Nickel (30) Contact Mating Area Plating Material
- Wire Range = 0.12-0.50² [26-20] mm [AWG]
- Copper Alloy Contact Base Material
- Gold Termination End Plating

[View all Features](#)

Documentation & Additional Information

Product Drawings:

- [SOCKET ASSEMBLY, LOOSE PIECE, TYPE III+](#) (PDF, English)

Catalog Pages/Data Sheets:

- [PRECISION PIN AND SOCKET CONTACTS](#) (PDF, English)
- [Signal Contacts](#) (PDF, English)
- [M_SERIES_PIN_AND_SOCKET_CONNECTORS](#) (PDF, English)
- [CIRCULAR CONNECTORS FOR COMMERCIAL SIGNAL AND POWER ...](#) (PDF, English)
- [AMP Circular Connectors for Commercial Signal & Powe...](#) (PDF, English)

Product Specifications:

- None Available

Application Specifications:

- [Type III+ \(Size 16\) Contacts](#) (PDF, English)

Instruction Sheets:

- None Available

CAD Files: ([CAD Format & Compression Information](#))

- [2D Drawing](#) (DXF, Version G)
- [3D Model](#) (IGES, Version G)
- [3D Model](#) (STEP, Version G)

[List all Documents](#)

Additional Information:

- [Product Line Information](#)

Related Products:

- [Tooling](#)

Product Features (Please use the Product Drawing for all design activity)

Product Type Features:

- [Pin/Socket](#) = Socket
- Product Type = Type III+
- [Insulation Support](#) = Yes
- [Wire Termination Type](#) = Solder
- Wire/Cable Type = Discrete Wire
- Grade = Commercial
- Comment = These contacts can be used in MultiMate contact cavities of all connector housings.

Electrical Characteristics:

- High Current = No

Termination Related Features:

- [Termination End Plating](#) = Gold

Body Related Features:

- [Wire Range \(mm \[AWG\]\)](#) = 0.12-0.50² [26-20]

Contact Related Features:

- [Contact Mating Area Plating Material](#) = Gold (30) over Nickel (30)
- [Contact Base Material](#) = Copper Alloy
- [Contact Size](#) = 16
- [Contact Type](#) = Signal

Industry Standards:

- [RoHS/ELV Compliance](#) = RoHS compliant, ELV compliant
- [Lead Free Solder Processes](#) = Not relevant for lead free process
- RoHS/ELV Compliance History = Always was RoHS compliant

Conditions for Usage:

- [Terminate To](#) = Wire
- Test Current (Amps.) = 13.0

Packaging Related Features:

- Spring Material = Stainless Steel
- Used With = M Series Connectors, CPC Connectors

- [Packaging Method](#) = Loose Piece

Other:

- Brand = AMP